

T-30 INTELLI-FLOW™ WATER SAVER OPTIONAL HOUSING Installation Instructions

1.0 GENERAL

The T-30 Intelli-Flow™ WATER SAVER decreases the amount of barrier fluid consumed by a dual seal compared to a typical force circulated barrier system. The Optional Housing allows for the T-30 Intelli-Flow™ to be flushed of particulate content when utilized in difficult applications. This housing includes a third port, which is used to simplify the cleaning of the T-30 Intelli-Flow™. The housing is easy to use and install.

2.0 OPTIONAL HOUSING

The *T-30 Intelli-Flow™ Optional Housing* has an additional port for simplified cleaning. Reference *Figure 1* below for description.

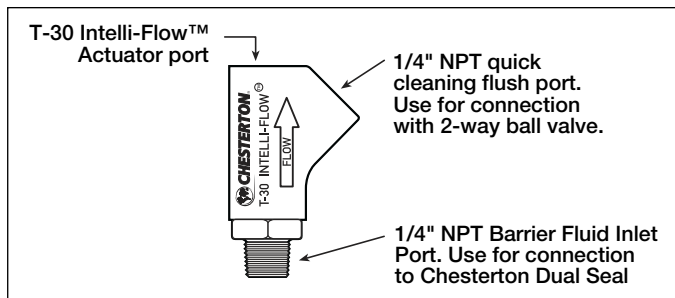


Figure 1 – T-30 Intelli-Flow™ Optional Housing

3.0 OPTIONAL HOUSING ASSEMBLY PROCEDURE

Removal of the T-30 Intelli-Flow™ Actuator

Secure T-30 Intelli-Flow™ with a 7/8" wrench. Using a 3/4" wrench unscrew thermal actuator from housing and remove actuator. Reference *Figures 2 and 3*.

Installation of Actuator into the T-30 Intelli-Flow™ Optional Housing

Insert T-30 Intelli-Flow™ actuator into the Optional Housing. Secure T-30 Intelli-Flow™ Optional Housing with a 7/8" wrench. Using a 3/4" wrench tighten T-30 Intelli-Flow™ actuator into Optional Housing. Reference *Figures 4 and 5*.

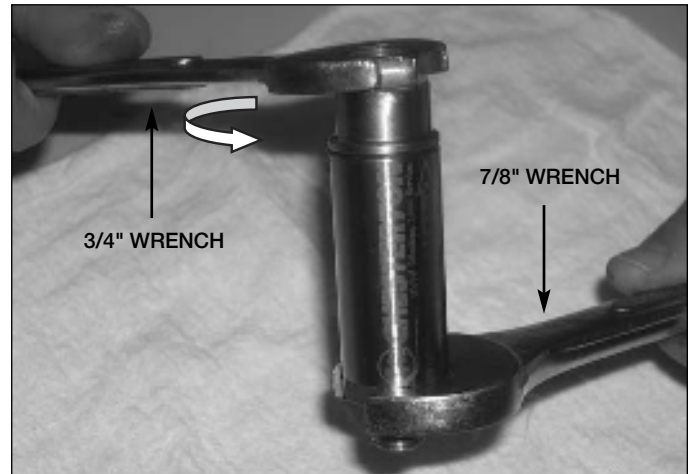


Figure 2 – T-30 Intelli-Flow™

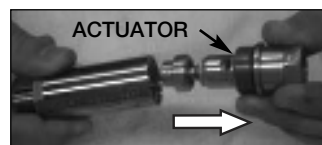


Figure 3 – Removal of T-30 Intelli-Flow™ Actuator

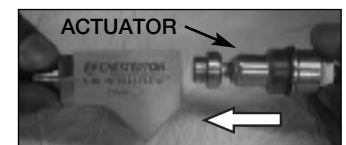


Figure 4 – Installation of T-30 Intelli-Flow™ Optional Housing

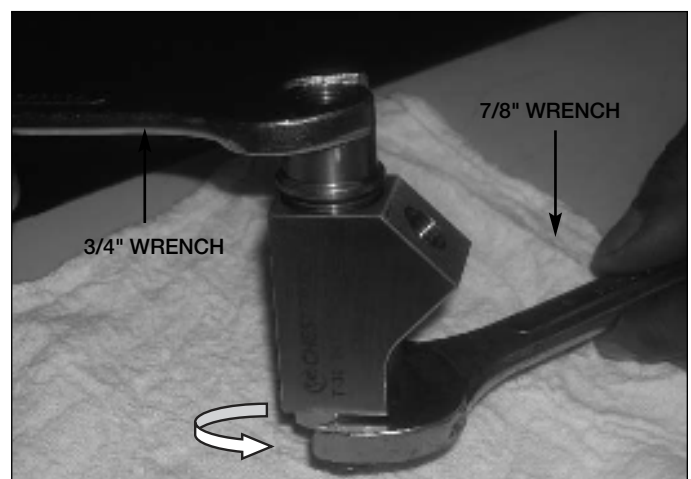


Figure 5 – T-30 Intelli-Flow™ Optional Housing

CAUTIONS

These instructions are general in nature. It is assumed that the installer is familiar with seals and certainly with the requirements of their plant for the successful use of mechanical seals. If in doubt, get assistance from someone in the plant who is familiar with seals or delay the installation until a seal representative is

available. All necessary auxiliary arrangements for successful operation (heating, cooling, flushing) as well as safety devices must be employed. These decisions are to be made by the user. The decision to use this seal or any other Chesterton seal in a particular service is the customer's responsibility.

**4.0 OPTIONAL HOUSING
INSTALLATION PROCEDURE**

**Installation of the T-30 Intelli-Flow™
WATER SAVER Optional Housing**

The T-30 Intelli-Flow™ offers a 1/4", 3/8" and 1/2" NPT male fitting for simplified installation on a Chesterton dual seal barrier fluid outlet port. The T-30 Intelli-Flow™ also includes a 1/4" barb fitting for hose connection for the T-30 Intelli-Flow™ outlet port to drain or effluent recovery system. These components should be used in conjunction with the T-30 Intelli-Flow™ optional housing.

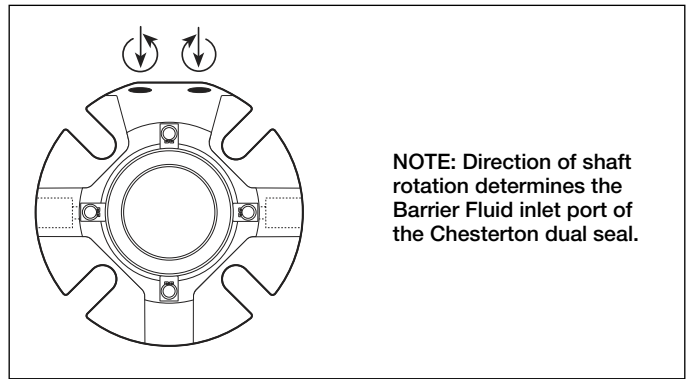
1. Install the Chesterton dual seal according to the installation instructions.
2. Determine the inlet and outlet barrier ports on the Chesterton dual seal. *Reference Figure 6.*
3. Install the T-30 Intelli-Flow™ with optional housing in the outlet barrier fluid port of the Chesterton dual seal gland. *Reference Figure 7.*
4. Attach 2-way ball valve to third port of optional housing. This will allow for cleaning and flow through service. *Reference Figure 7.*

5.0 OPERATING PROCEDURE

The T-30 Intelli-Flow™ Optional Housing allows for flow through service and cleaning the T-30 Intelli-Flow™ actuator. A 2-way ball valve is required to allow fluid to pass the T-30 Intelli-Flow™ actuator clearing away any particulate content. When using this option, frequency of flushing the T-30 Intelli-Flow™ is dependent on application.

6.0 LIMITS OF OPERATION

Maximum Temperature : 121°C (250°F)
Maximum Pressure : 20.7 BARG (300 PSIG)



NOTE: Direction of shaft rotation determines the Barrier Fluid inlet port of the Chesterton dual seal.

Figure 6 - S20 Piping Inlet for Specific Shaft Rotation

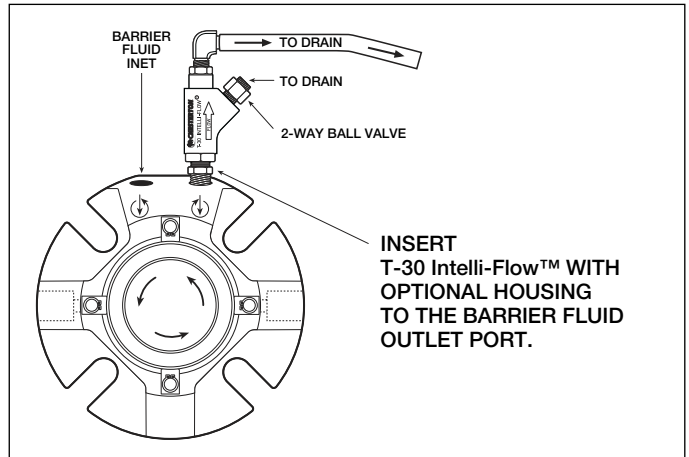


Figure 7 - T-30 Intelli-Flow™ with Optional Housing Installation

NOTE:

For optimum performance install T-30 Intelli-Flow™ unit as close to seal gland as possible. Water quality and particulate content may affect the performance of the T-30 Intelli-Flow™ WATER SAVER and Seal.



860 Salem Street
Groveland, MA 01834 USA
Telephone: 781-438-7000 Fax: 978-469-6528
www.chesterton.com

© A.W. Chesterton Company, 2006. All rights reserved.
® Registered trademark owned and licensed by
A.W. Chesterton Company in USA and other countries.

ISO Certifications available at www.chesterton.com/corporate/iso